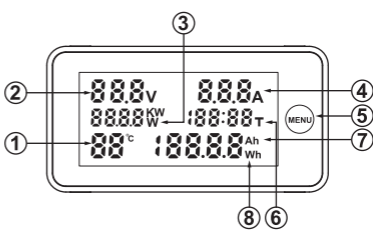


Instruction manual of KWS-DC200 DC power meter

- 1: Temperature
- 2: Voltage
- 3: Power
- 4: Current
- 5: Button
- 6: Timing
- 7: Electricity
- 8: Electric quantity



Product Model

- KWS-DC200-10A / With internal shunt
- KWS-DC200-50A/ With external shunt
- KWS-DC200-100A/ With external shunt

Product Function

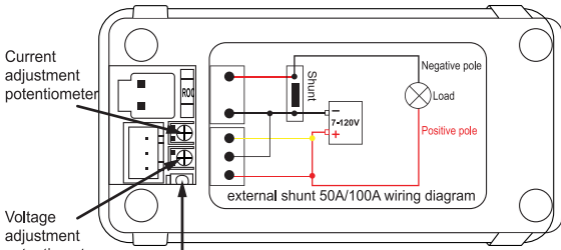
1. Voltage, current, power, timing, Temperature, electricity, electric quantity.
2. Electricity, electric quantity and timing can be reset.
3. Electricity, electric quantity and timing have power-down memory function.
4. The direct power supply of this product can measure 8-120V, and the external power supply can measure 0-200V.

Product Parameter

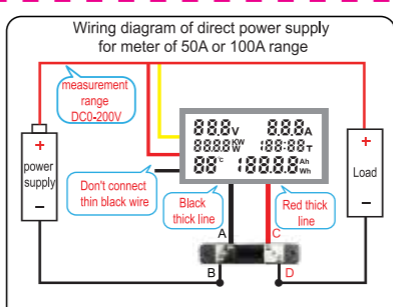
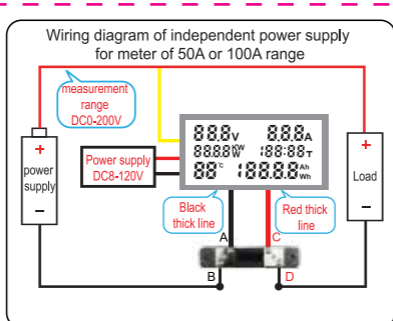
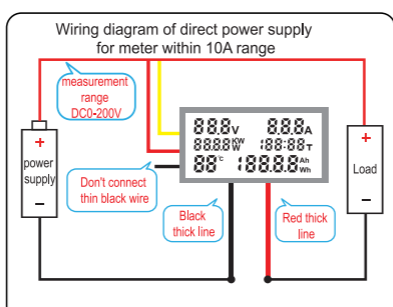
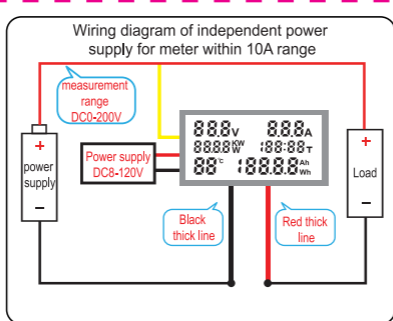
Model: KWS-DC200-10A	Model: KWS-DC200-50A	Model: KWS-DC200-100A
Supply voltage: 8-120V	Supply voltage: 8-120V	Supply voltage: 8-120V
Test voltage: 0-200V	Test voltage: 0-200V	Test voltage: 0-200V
Current: 0-10A	Current: 0-50A	Current: 0-100A
Power: 0-1200W	Power: 0-10000W	Power: 0-20000W
Ah: 0-19999Ah	Ah: 0-19999Ah	Ah: 0-19999Ah
Wh: 0-19999Wh	Wh: 0-19999Wh	Wh: 0-19999Wh
Timing: 0-200H	Timing: 0-200H	Timing: 0-200H
Temperature: -9 C-99 C	Temperature: -9 C-99 C	Temperature: -9 C-99 C

Operating Instructions

Click the MENU button to view the electricity and electric quantity.
 Hold the MENU button for 3 seconds to reset the timing, Ah and Wh.
 The direct power supply of this product can measure 8-120V, and the external power supply can measure 0-200V.
 The current and voltage can be calibrated manually.
 The calibration method is shown in the figure below.
 Please refer to the following wiring diagram for test parameters.



Hold the button for 3 seconds to reset the current.



Product size chart

